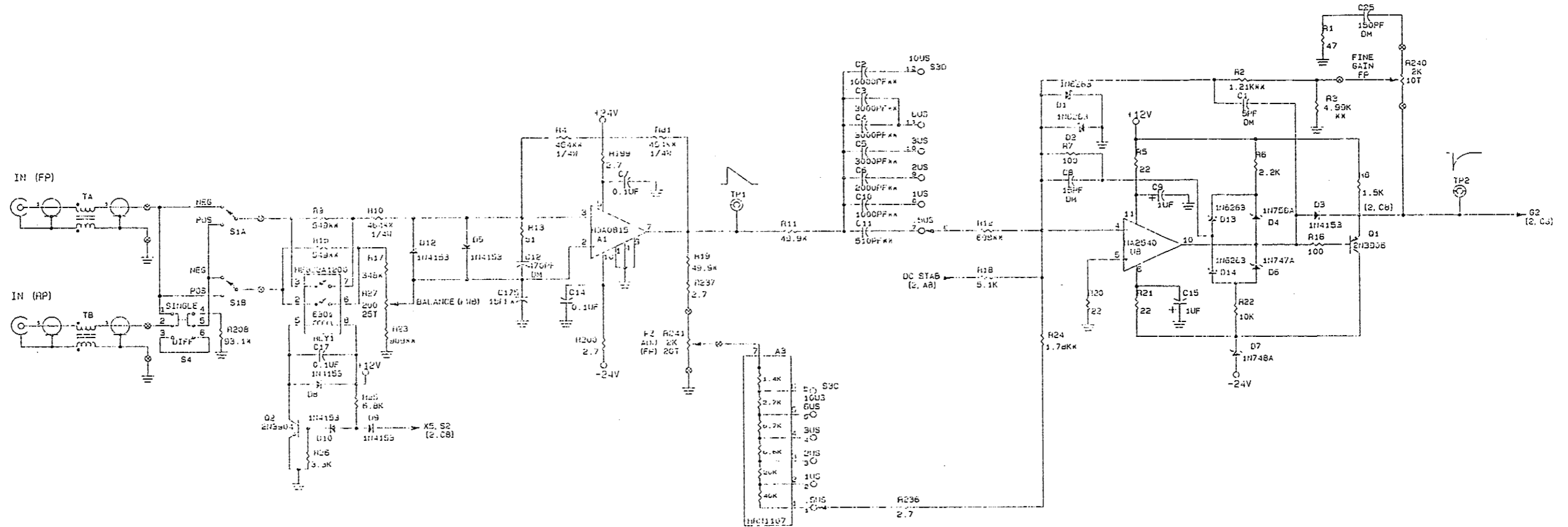


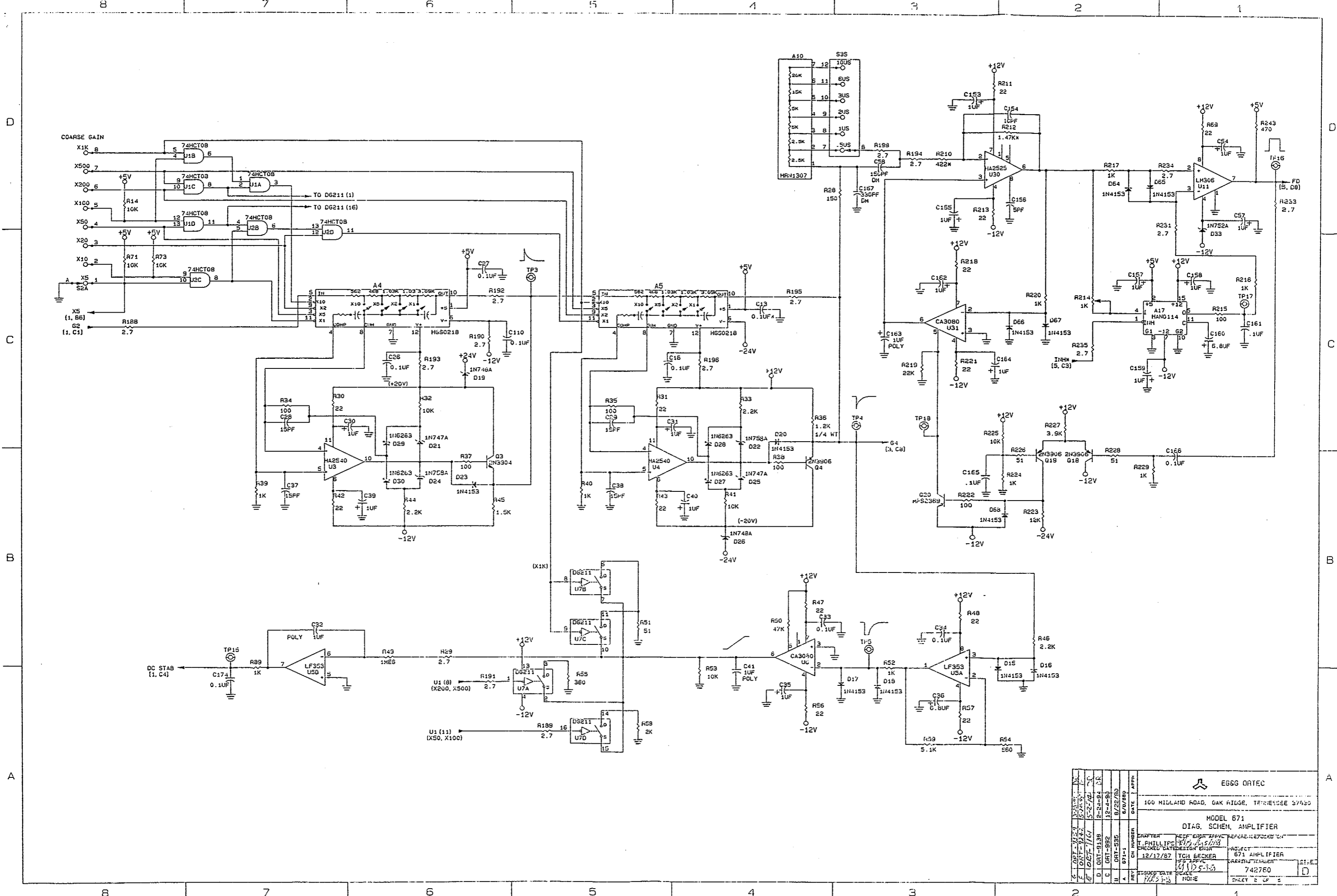
NOTES UNLESS OTHERWISE SPECIFIED

1. ALL RESISTOR VALUES ARE IN OHMS.
2. ALL RESISTORS ARE 5% 1/8 WATT CARBON FILM.
3. ALL RESISTORS MARKED \*\* ARE 1% 1/8W METAL FILM 19.
4. ALL RESISTORS MARKED \* ARE 1% 1/8W METAL FILM T2.
5. ALL CAPACITORS MARKED \*\* ARE 1% COG NPO10.
6. ALL CAPACITORS MARKED \* ARE COG MOHO.
7. SIGNAL NAME (X, Z): X-PAGE, Z2-Z01K.
8. PINS 1, 2, 7, 8, 13, AND 14 OF ALL HA2540S ARE GND'ed.



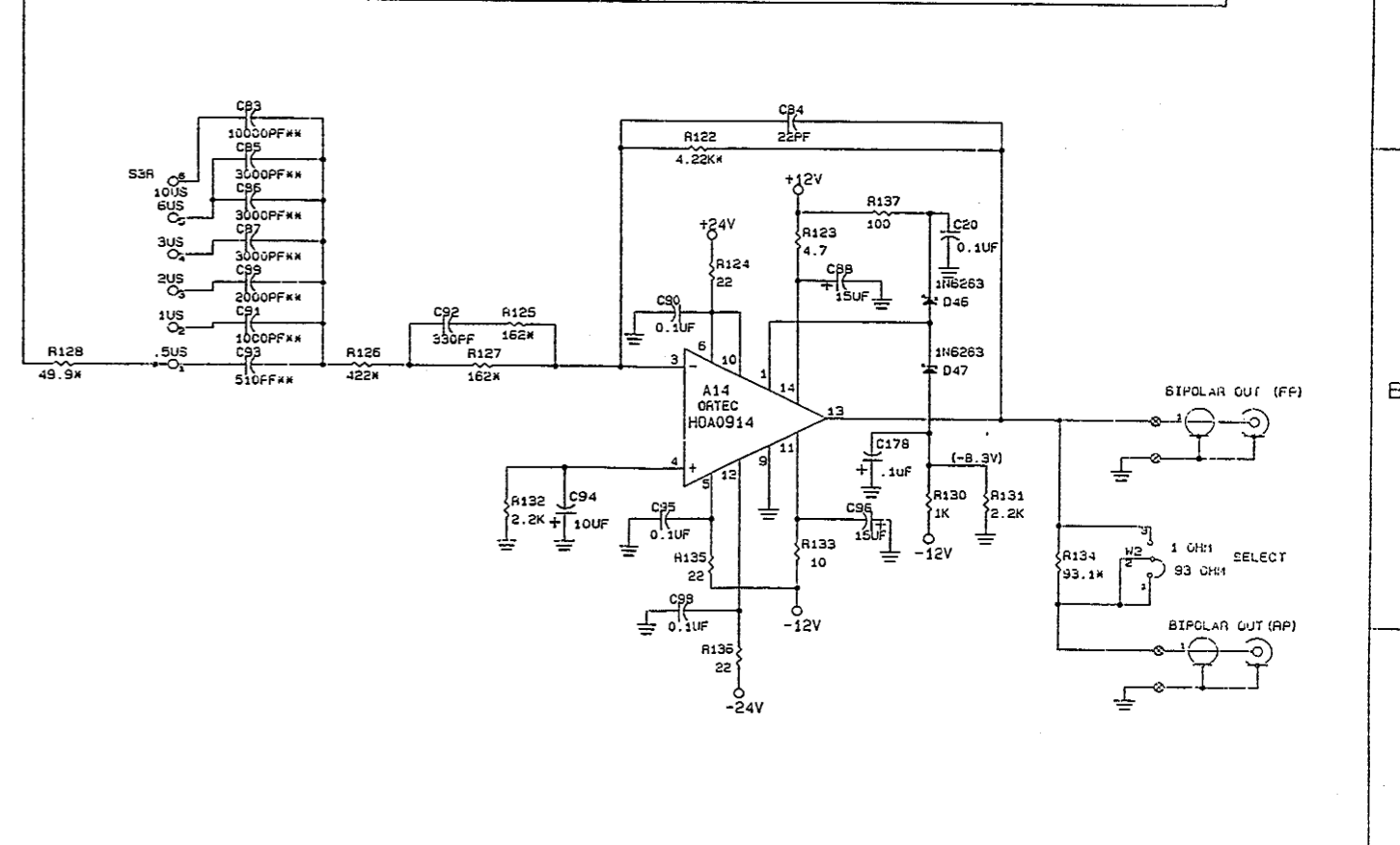
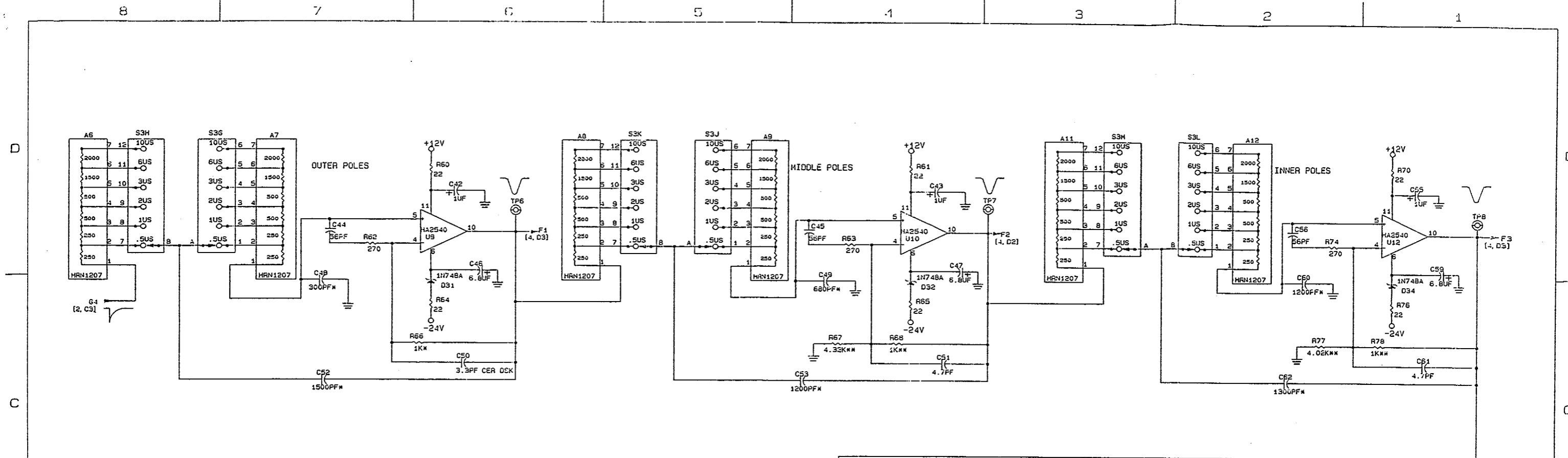
100 MIDLAND ROAD, OAK RIDGE, TENNESSEE 37830	
MODEL 671 DIAG. SCHEM. AMPLIFIER	
DRAFTER T. BECKER	CHECKED T. BECKER
DATE 12/17/87	REV. NONE
PROJECT 671 AMPLIFIER	DRAWING NUMBER 742750
SHEET 1 OF 5	SIZE D





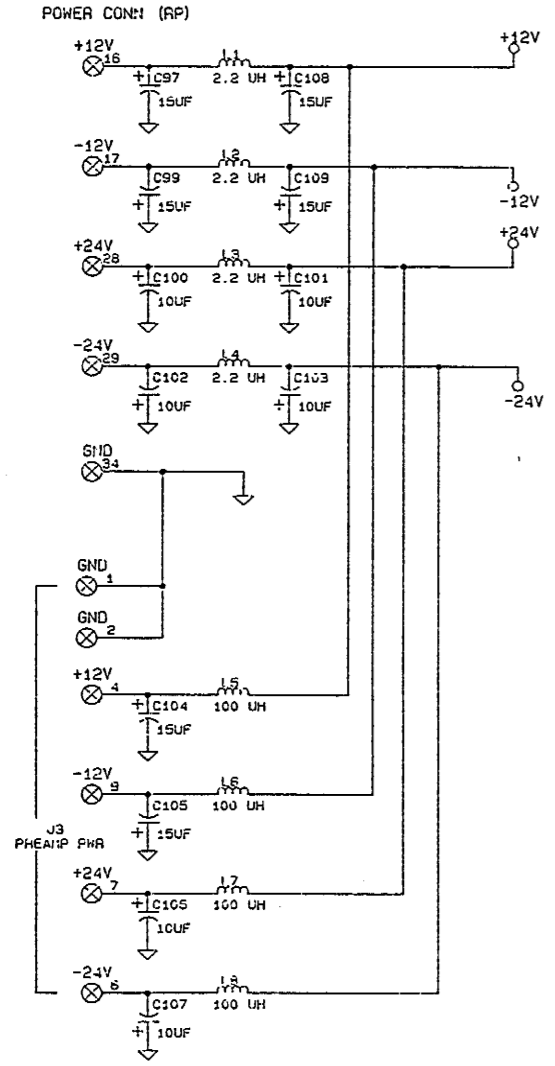
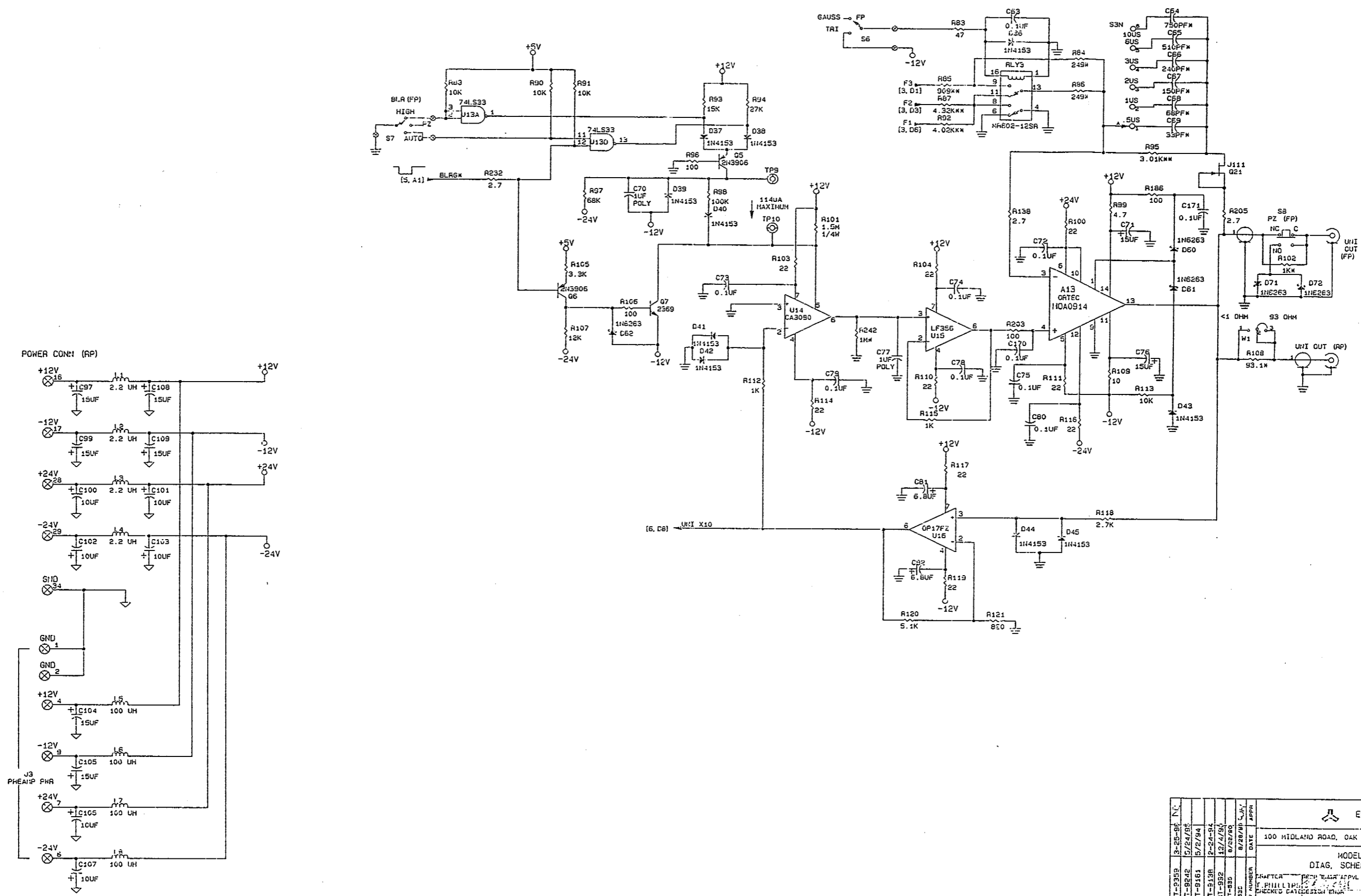
EG&G ORTEC	
100 MILLAND ROAD, OAK RIDGE, TENNESSEE 37830	
MODEL 671 DIAG. SCHEM. AMPLIFIER	
DRAWN BY: T. PHILLIPS CHECKED DATE: 12/17/87 TCH BECKER PROJECT: 671 AMPLIFIER SHEET 2 OF 2	DATE: 12/17/87 APPR: TCH BECKER PROJECT: 671 AMPLIFIER SHEET 2 OF 2





EGGG ORTEC	
100 MIDLAND ROAD, OAK RIDGE, TENNESSEE 37830	
MODEL 671 DIAG. SCHEM. AMPLIFIER	
DRAWN BY T. PHILLIPS	CHECKED BY T. BECKER
DATE 12/17/87	PROJECT 671 AMPLIFIER
DRAWING NUMBER 742760	SHEET 3 OF 5

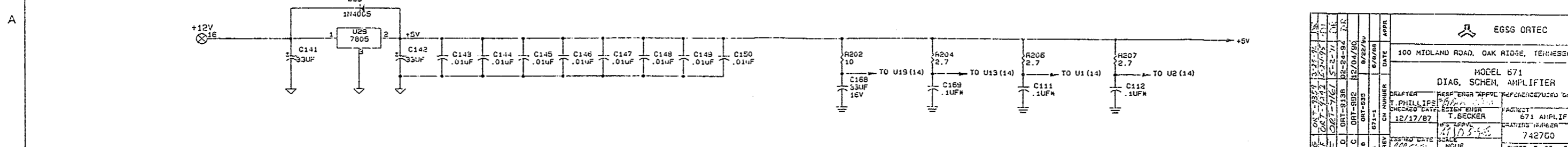
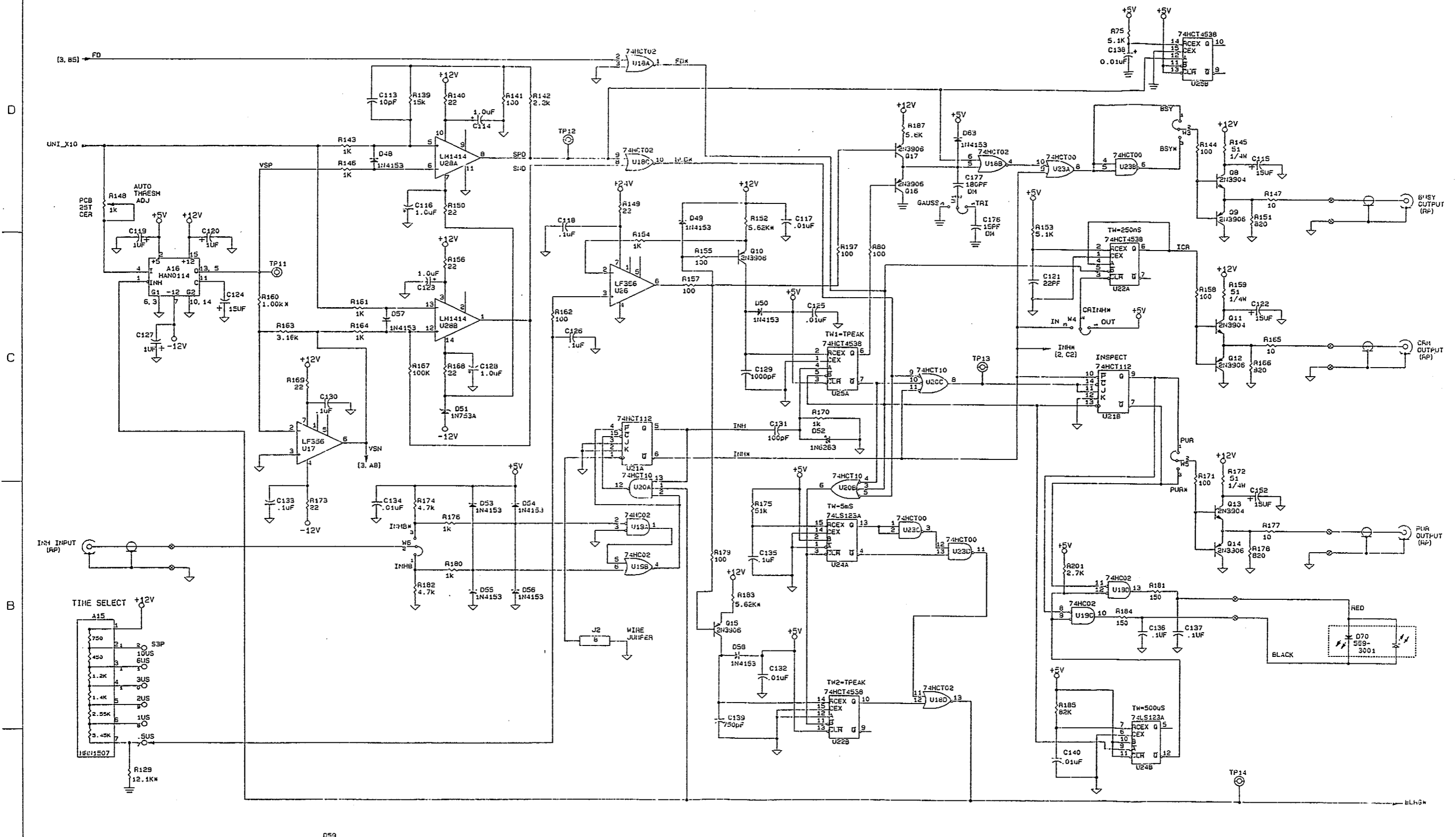




3-25-96		5/24/96		5/2/94		2-24-94		8/28/90		12/17/87		12/17/87		12/17/87		12/17/87		12/17/87		12/17/87	
C	ORT-9355	F	ORT-9242	E	ORT-9161	D	ORT-9138	B	ORT-890	A	ORT-882	REV	ON NUMBER	DATE	APPR	EGGG ORTEC					
100 MIDLAND ROAD, OAK RIDGE, TENNESSEE 37830																					
MODEL 671 DIAG. SCHEM. AMPLIFIER																					
PROJECT: 671 AMPLIFIER																					
DATE: 7/27/80																					
PAGE: 4 OF 5																					







EGSS ORTEC	
100 MIDLAND ROAD, OAK RIDGE, TENNESSEE 37830	
MODEL 671 DIAG. SCHEM. AMPLIFIER	
DRAWN BY T. PHILLIPS	REFERENCE/USED ON
CHECKED DATE 12/17/87	T. BECKER
ISSUED DATE 12/17/87	671 AMPLIFIER
SCALE NGHE	742760
SHEET 5 OF 5	

